

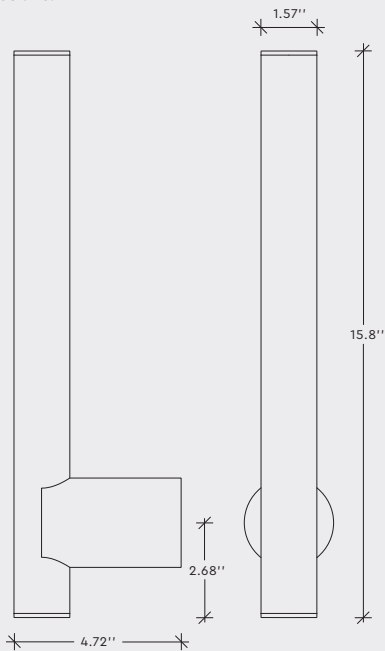


AW400L

The AW400 lamp is a wall mounted lamp. LEDs inside the alabaster tube, ensures that a homogeneous and continuous light is emitted throughout the stone.

The slender plinth, made from either aluminium or brass, is rounded towards the alabaster thereby embracing the material with a seemingly minimal touch.

The assembly method lends itself to creativity, as the lamp can be positioned in different directions.





The crossed-out wheeled bin symbol indicates that the item should be disposed of separately from household waste. The item should be handed in for recycling in accordance with local environmental regulations for waste disposal. By separating a marked item from household waste, you will help reduce the volume of waste sent to incinerators or land-fill and minimize any potential negative impact on human health and the environment.

AW400L

DATA

Collection	SYSTEM 40
Product	AW400L
Article no.	1N11.3848.xx05

SPECIFICATIONS

Weight	2.20lb / 3.20lb
Material	Aluminium / Brass and Alabaster
Power	7W
Voltage	24V – constant voltage
IP protection grade	IP20
CCT	2700K (nature stone – variations will occur!)
Lumen	291 lm
Efficiency	38 lm/W
Driver	Remote (not included)
Dimmable	yes – depending on remote driver
Insulation class	Class III 
Labelling	 Intertek 5005519


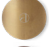

Conforms to ANSI/UL
Std. UL 2108:2015

Cert. to CAN/CSA
Std. CSA C22.2#250.13:2017

Energy Classifications



XX – COLOUR CODES

-  08 – Mouse Grey
-  36 – Nature Brass
-  37 – Weathered Brass

NOTE

The light source of this light fixture is not replaceable; when the light source reaches its end of life the whole light fixture must be replaced.

IMPORTANT INFORMATION

Installation and mounting must be performed by a certified electrician only, and instructions must be followed.

Always shut the power circuit off before starting work.

In some countries electrical installation work may only be carried out by an authorized electrical contractor. Please contact your local electricity authority for advice.

CLEANING AND MAINTENANCE:

Use a soft moist cloth for cleaning. No further maintenance is required.

WARRANTY:

If the product is defect, please contact your supplier immediately. Please note that warranty will not apply in case of wrongful use or if unskilled personnel attempts to repair.

COMPONENTS

- AW400
- Storm S Base
- Quill screw



AW400L

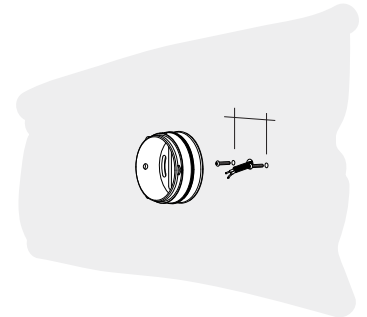
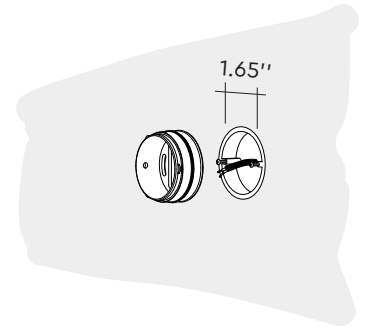
ASSEMBLY INSTRUCTION PAGE 1 OF 2

STEP 1

Mount the fixture onto the wall, by placing the Storm S Base over the screws, then tighten.

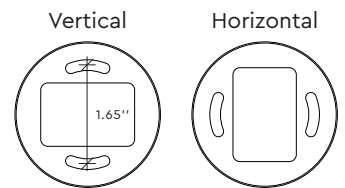
NOTE:

LED driver (not included) must be placed externally. Light fixture can not house the driver!



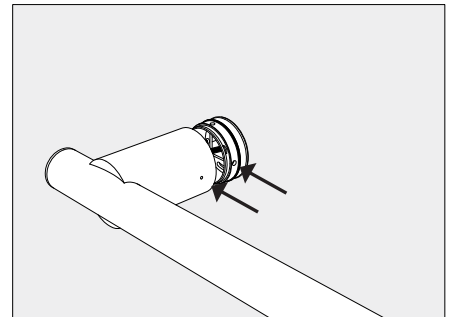
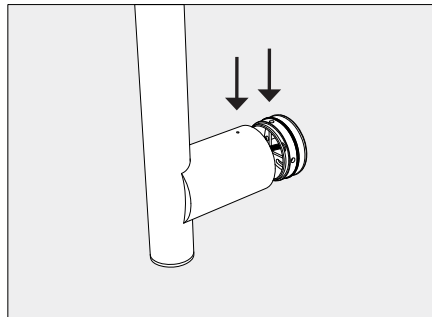
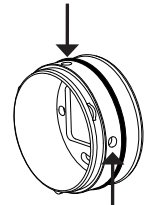
NOTE:

There are two sets of mounting options; horizontal or vertical. Make sure that the wall box will match the base brackets.



NOTE:

The hole on the top of the fixture and the two holes on the Storm S Base determine the direction of the fixture



IMPORTANT INFORMATION

Installation and mounting must be performed by a certified electrician only, and instructions must be followed.

Always shut the power circuit off before starting work.

In some countries electrical installation work may only be carried out by an authorized electrical contractor. Please contact your local electricity authority for advice.

CLEANING AND MAINTENANCE:

Use a soft moist cloth for cleaning. No further maintenance is required.

WARRANTY:

If the product is defect, please contact your supplier immediately. Please note that warranty will not apply in case of wrongful use or if unskilled personnel attempts to repair.

AW400L

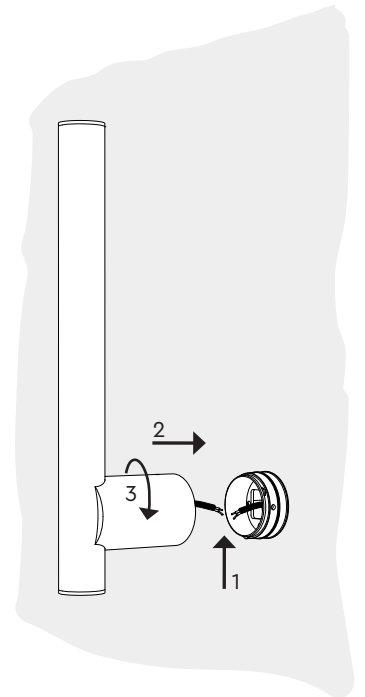
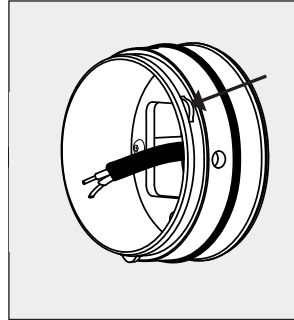
ASSEMBLY INSTRUCTION PAGE 2 OF 2

STEP 2

Make sure main power is off!

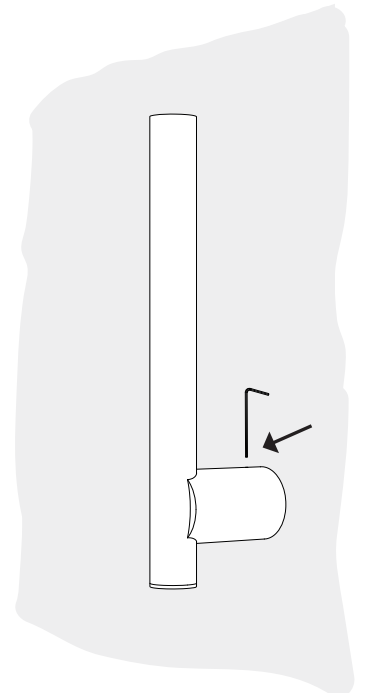
Connect the cables tails and mount the fixture.

NOTE: Be careful not to damage the "ears" on the base when mounting the fixture.



STEP 3

Make sure that the holes align. Then lock the position by tightening the quill screw with the allen key



IMPORTANT INFORMATION

Disassembly must be performed by a certified electrician only, and instructions must be followed. Always shut the power circuit off before starting work.

WARRANTY:

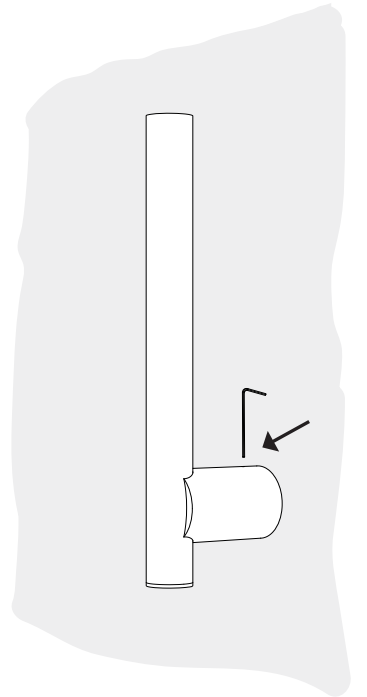
If the product is defect, please contact your supplier immediately. Please note that warranty will not apply in case of wrongful use or if unskilled personnel attempts to repair.

AW400L

DISASSEMBLY INSTRUCTION

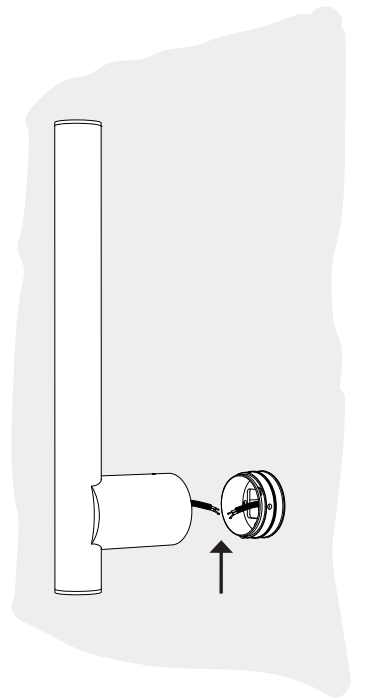
STEP 1

Release the quill screw and gently turn and pull the fixture from the Storm S Base.



STEP 2

Make sure main power is off!
Disconnect the cables.



STEP 3

Loosen the screws, then slightly rotate and gently pull

